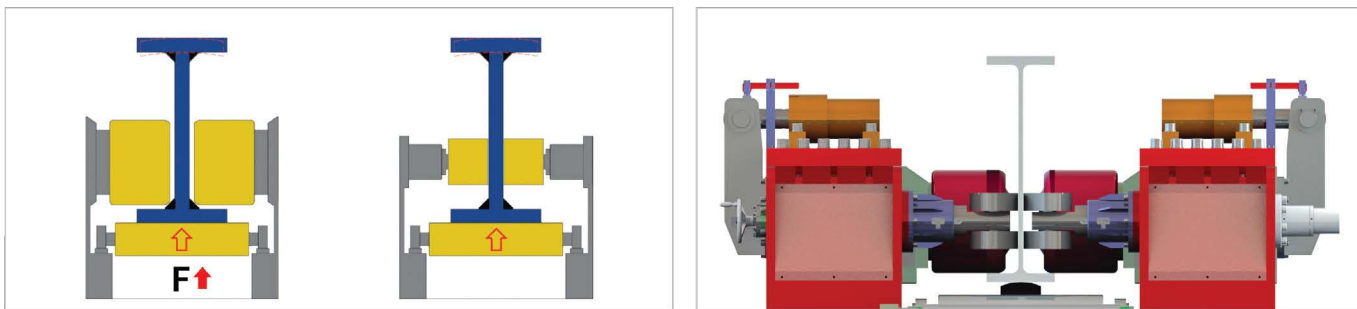
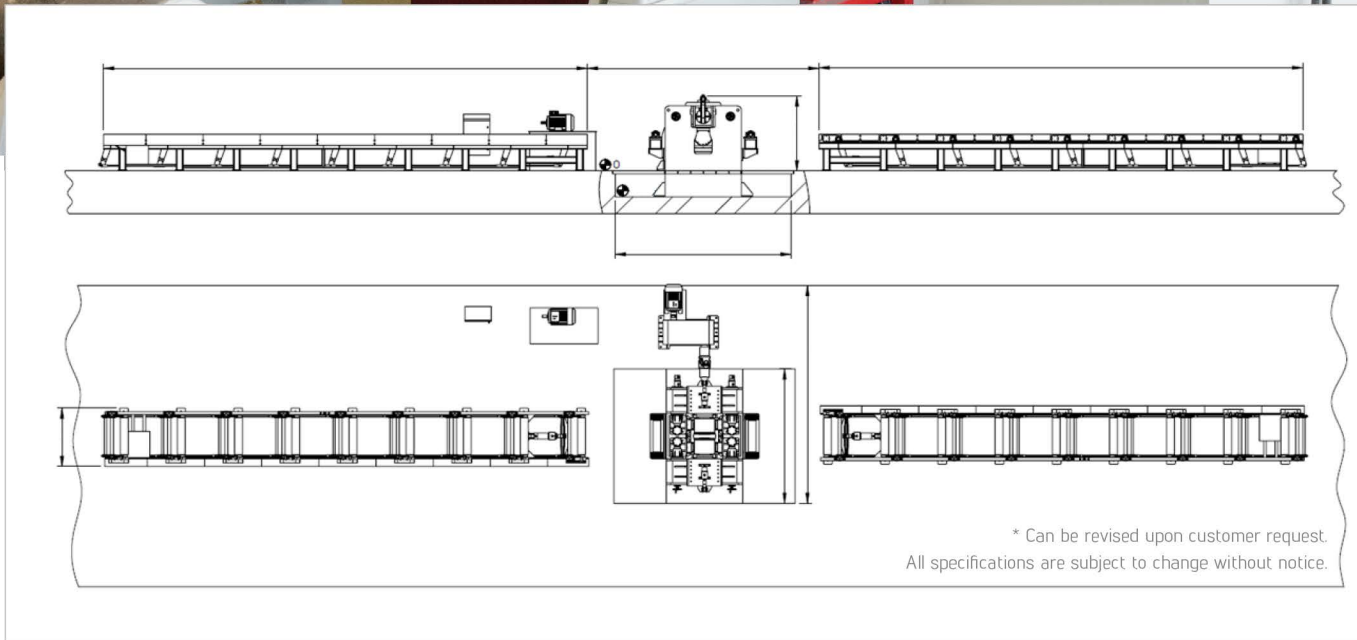
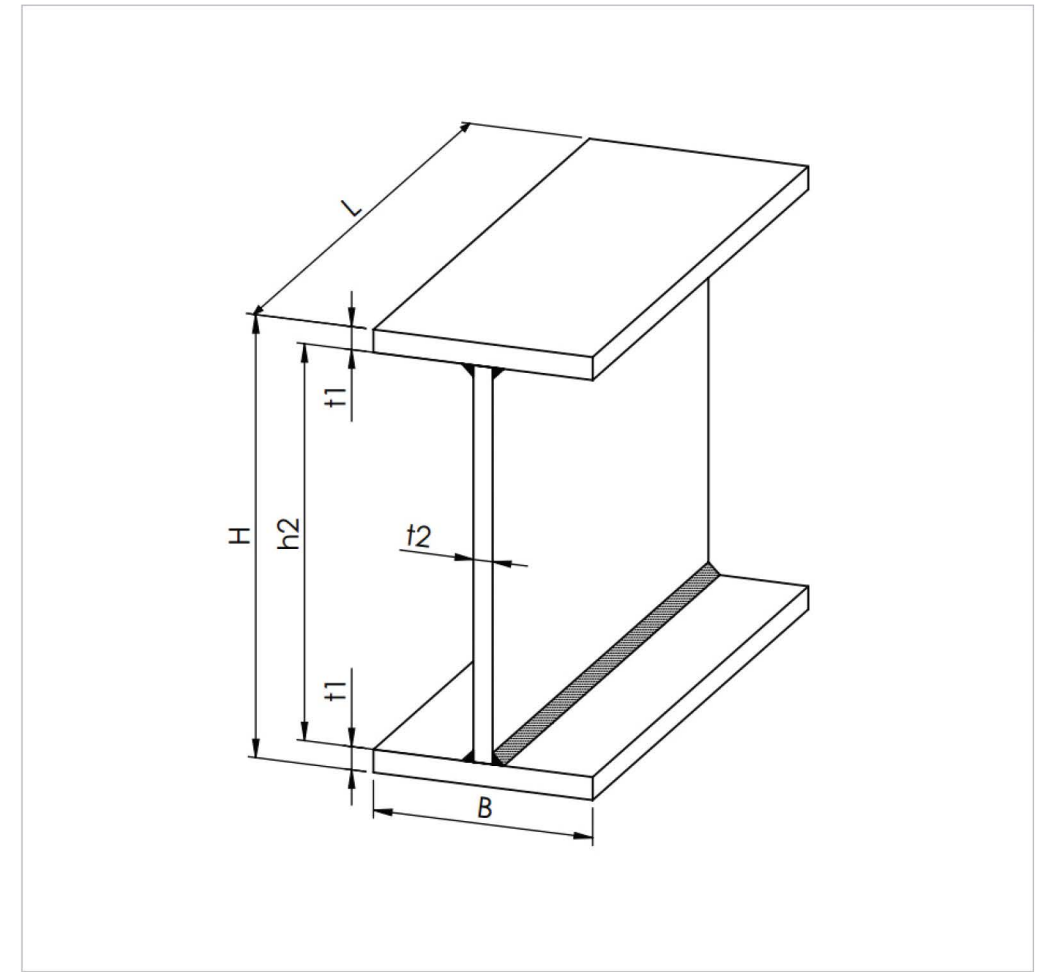
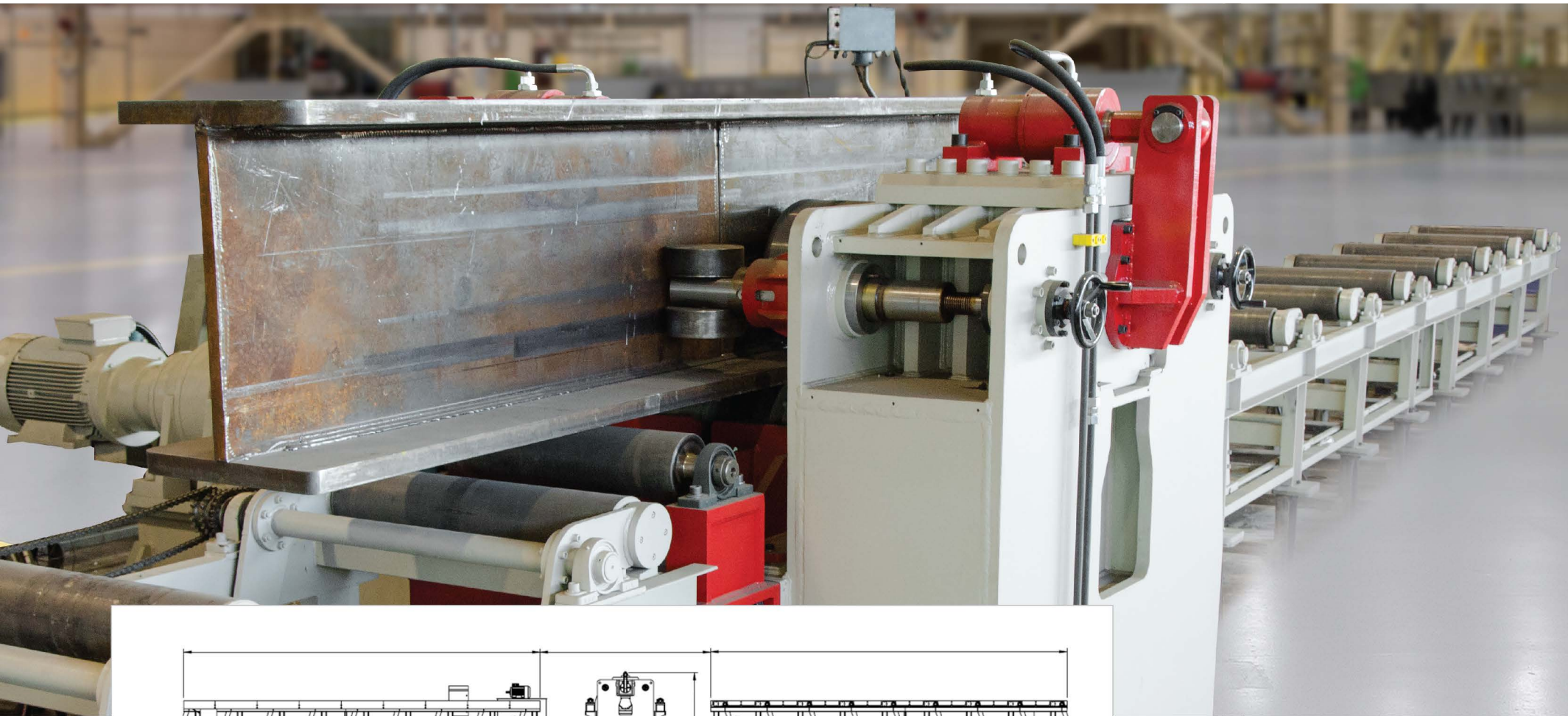




BPS - H BEAM STRAIGHTENING MACHINE



BPS		TECHNICAL SPECIFICATIONS													
Model	Force (ton-short)	Beam Height (inch)	Beam Width (inch)	Beam Length (inch)	Flange Max. Thickness (inch)	Web Thickness (inch)	Web Min. Height (inch)	Tensile Strength of Flange (PSI)	Machine Power (HP)	Straightening Speed (ft/min)	System Pressure (PSI)	Conveyor Length (feet) *	Conveyor Amount (With Drive)	Optional Features	Conveyor Amount (Without Drive)
	H	B	L	t1	t2	h2									
BPS 500	440	Customer Specific	12-40	80-472	3-1/8	3-1/8	20	50,000	65	20	3,626	36	2		2

Data indicated above are based on steel with yield point 34,800 PSI. All specifications are subject to change without notice.